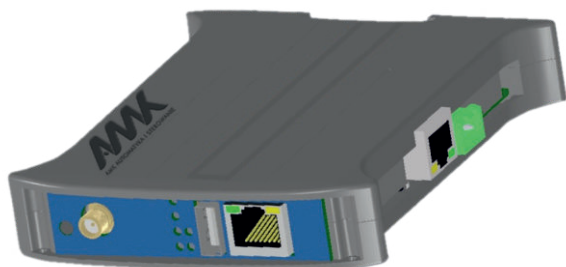




GSM BIT-ONE MODULE

GSM BIT-ONE MODULE

BIT-ONE is a device enabling wireless communication with automation systems via GSM network and the Internet. The system is enclosed in a PC/ABS housing suitable for mounting on standard rails compliant with the EN 60715 (DIN) standard.



- Remote Access Outputs: 2x Ethernet.
- GSM modem with LTE support.
- USB port for Wi-Fi connection.
- Compact size (101 x 22.5 x 119mm).
- Two galvanically isolated RS485 ports.

The BIT-ONE module allows wireless communication with automation systems using GSM LTE transmission and the Internet through LAN ports.

Thanks to the USB port, in which a wireless network card can be placed, a Wi-Fi connection is also possible. The system is powered by 24V DC. The use of housing compliant with EN 60715 standard allows for installation on standard DIN/TH35 rails. The enclosure dimensions are 22.5mm wide, 101mm high and 119mm deep.

CHOOSE **BIT-ONE**



Customer expectations:

- remote and local device support,
- control over the system,
- independence of device operation,
- simple setup for maintenance staff.

The BITONE module provides:

- safety and reliability,
- a solution built on publicly available protocols,
- simple and intuitive to use,
- quick and easy installation,
- ready-made mechanisms of cooperation with controllers,
- device data monitoring,
- can be used in places without access to the Internet

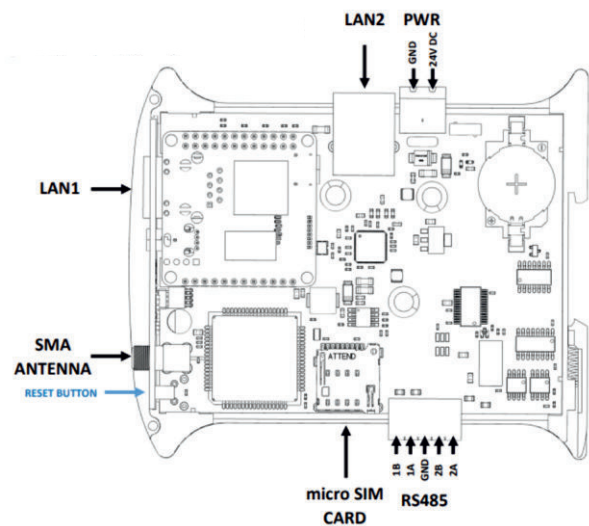
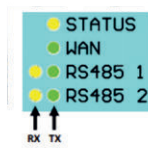
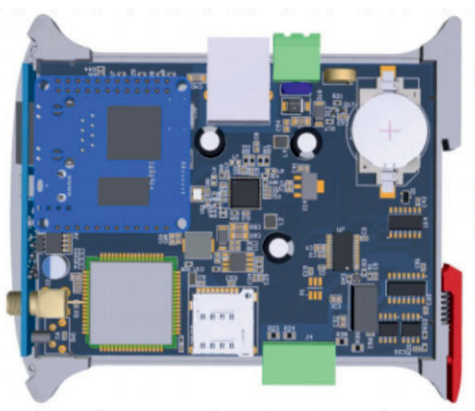
The highest quality materials and components are used in BIT-ONE module production. This translates into operational reliability and guaranteed quality.

The BIT-ONE module is based on the Debian Linux system. The main advantage is the regular development of the project, which involves ongoing bug fixing and vulnerability patching. This software does not contain any unnecessary additions, so you can install only those functions that are necessary for the device to perform a specific task. In terms of speed Linux is unrivaled, which makes it the primary operating system for servers (including WWW, FTP, mail, databases), as well as firewalls and routers.

TECHNICAL DATA

General data	BIT-ONE
Voltage	24V DC
Communication	2x Ethernet USB 2.0 2xRS485 galvanic insulated
Modem	GPRS/EDGE (kbps) – Max. 236,8 (DL), Max. 236,8 (UL) LTE (Mbps) – Max. 10 (DL), Max. 5 (UL) Dual-Band GSM/GPRS/EDGE – 900/1800 MHz.
Power consumption	Max. 5,8W
Antenna	1 x SMA, 5dBi, 50Ω (is not included in the kit)
RAM/ROM	512 MB/256 MB
Work temperature	-20°C ; +50°C
Operating system	Linux Debian
IP level	IP20
Display	Signal LEDs
Size	101 x 22,5 x 119 [mm] (wys. x szer. x gł.)

Connection manual:



A hand holding a shield-shaped logo with the AMK logo and text inside. The background features a network of white nodes and lines on a blue gradient.

AMK
AMK AUTOMATYKA I STEROWANIE

Go to [www](http://www.amk.com.pl) and download
or print full product
documentation:

MODUŁ GSM - BIT-ONE



Ul. Ekologiczna 1
15-673 Białystok
NIP 5422929531

tel. +85 674 74 63
e-mail: biuro@amk.com.pl

www.amk.com.pl